

Safety instructions

Before operating the unit, please read this manual thoroughly and retain it for future reference. Failure to observe these instructions might damage the device. The device may only be installed and connected by professional electricians. All relevant rules and regulations valid in the country of use, as well as RS485 guidelines, apply.

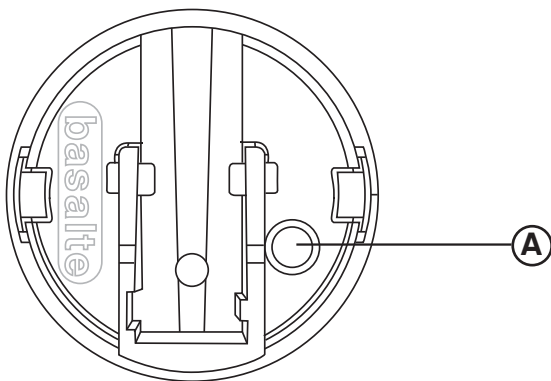
Description

Auro RS485 is a miniature motion sensor compatible with the Basalte Serial.link. Auro has an external diameter of 52 mm (2 in), the inside fitting diameter is 43 mm (1.7 in) with an installation depth of only 39 mm (1.5 in). The detection range of Auro is set for residential applications. Horizontal reach is 360°, while the vertical reach attains circa 90°. If installed at a height of 2.5 m (8.2 ft), Auro has a detection range with a diameter of approximately 5 m (16.4 ft). Maximum detection height is 5 m (16.4 ft). The white internal LED provides feedback of detected motion and can be manually controlled.

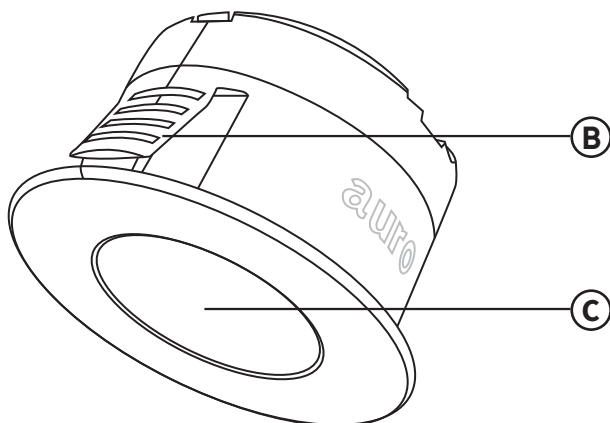
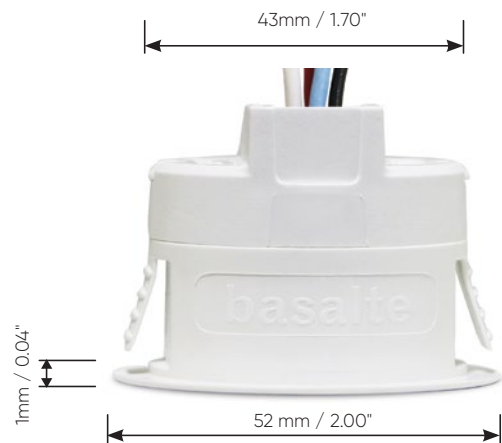
Components

Model No. 0180-12 (White)

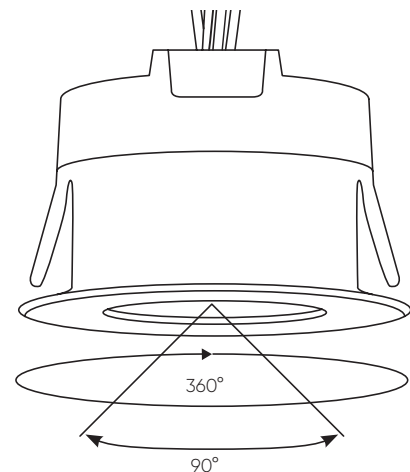
Model No. 0180-13 (Black)



A Recessed button



B Mounting clip
C Central IR window



Important advice



- Never connect the device to 110 V / 230 V or vicinity of it.
- Do not paint over the central IR window, since this will prevent Auro to operate correctly.

Installation and commissioning

- Auro is intended for ceiling mounting. In order to install Auro, an opening should be made with a diameter of 43 mm (1.7 in).
- Connect the 4 colored strands to the RS485 bus cable in accordance to standard RS485 guidelines. (Red = 24, White = Y, Blue = Z, Black = G)
- A maximum of 32 devices can be connected on one bus cable.
- Configure the hexadecimal address of the Auro RS485 using the Serial.link configuration tool.
- Caution: Address 00 cannot be used, so only addresses from 01 to FF are valid.
- After a bus voltage failure or bus reset, Auro will not be ready for operation for at least 5 seconds.
- Note that the recessed button is not accessible after physical installation.

Note: Please refer to the appropriate application note to integrate Auro RS485 motion detector into Lutron HomeWorks®.

Technical data

Features:

- PIR motion sensor
- lux sensor (0180-12 only)
- temperature sensor
- monochrome white LED

Power usage: 0.15 W

Ambient temperature:

Operation: -5°C to 45°C

Storage: -15°C to 55°C

Transport: -15°C to 55°C

Max. humidity: 93% relative humidity,
no moisture condensation

Protection class: II

Type of protection: IP 20

Certification: CE