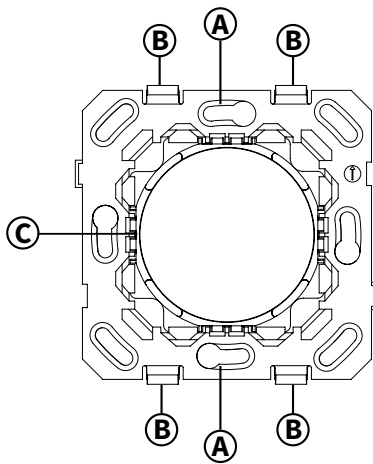


### Safety instructions

Before installing the unit, read this manual thoroughly and retain it for future reference.  
The device should be installed in compliance with official regulations valid in the country of use.  
The device may only be installed and connected by qualified electricians.  
Ensure that electricity is switched off when installing or unmounting the device.  
Do not open, dismantle, alter or modify the device.

### Components

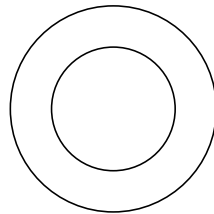
#### 0181-91 Auro wall adapter



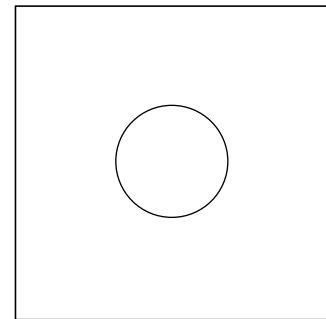
#### Auro (not included)

0180-02: Auro white

0180-03: Auro black



#### 0181-CC: Auro wall cover



**A** Opening to fix the outlet to the wall box

**B** Clips to mount the cover plate

**C** Adapter ring for Auro

### Wall boxes

The Auro wall version should be installed in European wall boxes with screws.  
The distance between the screws needs to be 60 mm, and a minimal depth of 45 mm is required.  
Square wall boxes size 60 x 60 mm are compatible with the sockets.  
Round wall boxes should have an inner diameter of 64 mm or more.

The following round wall boxes are compatible with the Basalte sockets:

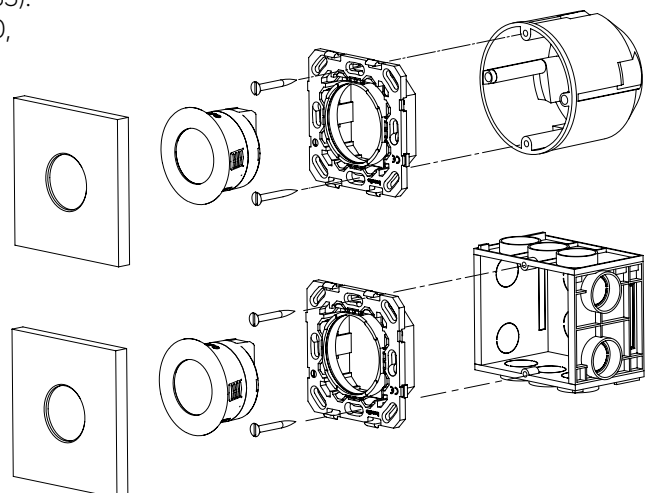
- Helia round with cut hole 68 mm (type 247, 261).
- Kaiser round with cut hole 68 mm (type 9063-xx, 9064-xx, 9062-xx).
- Legrand batibox round (ref 080051, 080061, 080052, 080053).
- ABB round Hafobox MD4050 and hollow wall boxes HW-50, HW50-G, HW52-F (except HW52-F IGD and HW52-F BW).



When using other round boxes, please verify the compatibility upfront.

Do not use following wall boxes:

- Helia O-range
- Kaiser (1055-xx – 1056-xx)
- ABB 3040
- ABB HW52-F IGD and HW52-F BW



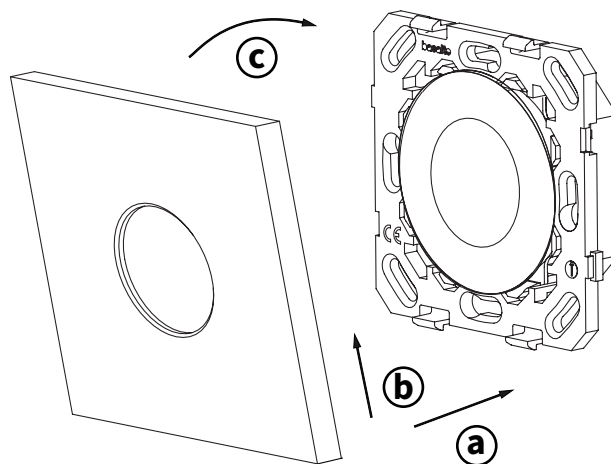
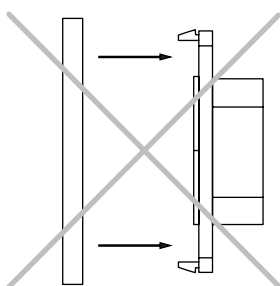
### Installation instructions

1. Install square wall box (60 mm) or compatible round wall box.  
Wall box should have screws with a vertical distance of 60 mm and minimal depth of 45 mm.
2. Fix the adapter to the wall box with 2 screws using the holes on vertical axis.
3. Connect the Auro to the bus (see manual Auro).
4. Plug the Auro into the adapter ring.
5. Mount the coverplate on the adapter (Auro already installed) (see drawing below).

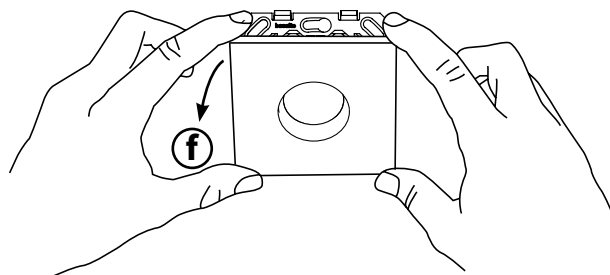
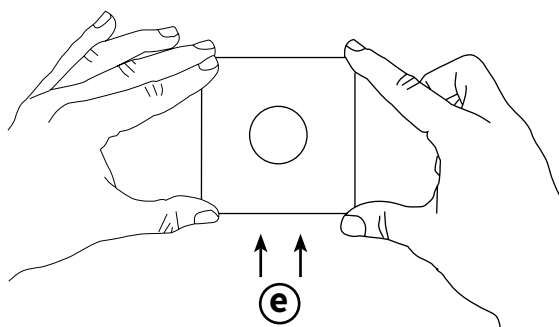
- A** Place the frame over the lower clips
- B** Push the frame upwards and tilt towards the wall
- C** Attach the frame over the top clips



Pushing the frame straight into the clips without pushing upwards and lifting, might damage the wall base.



### How to remove the Auro front cover (see drawing below)



- E** Push the frame upwards
- F** Tilt the frame away from the wall